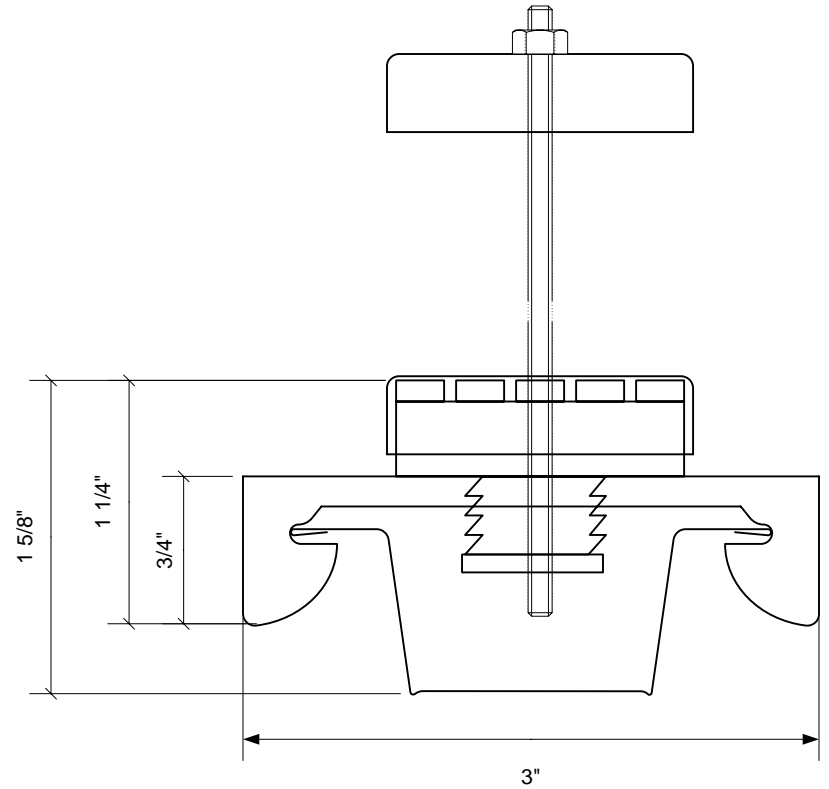
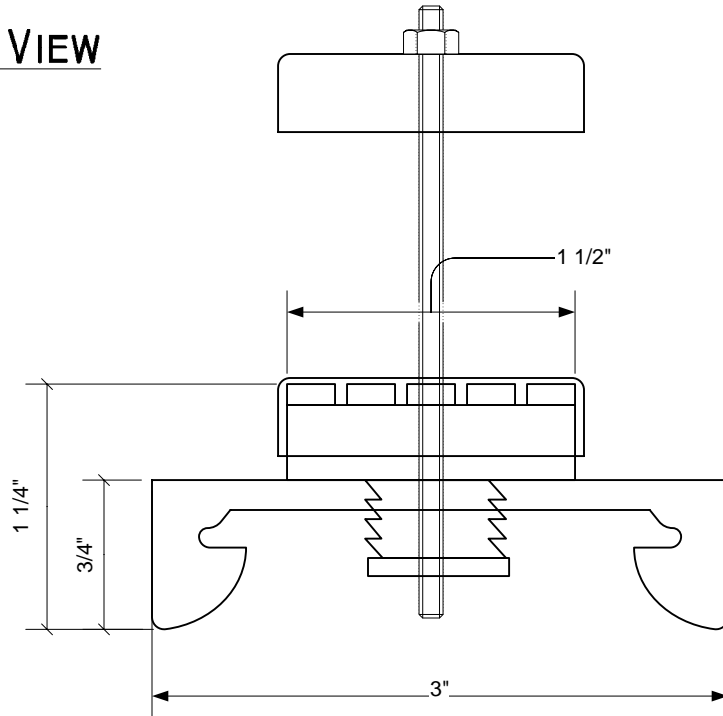


# RSIC-ITTC CLIP DIMENSIONS

## PROFILE VIEW



## END VIEW

