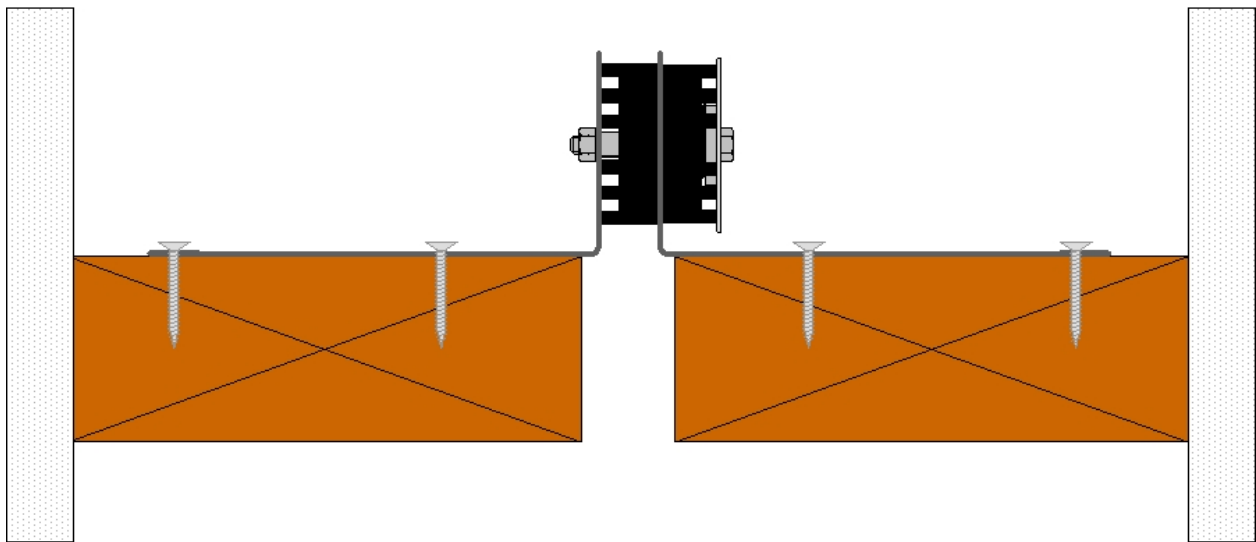
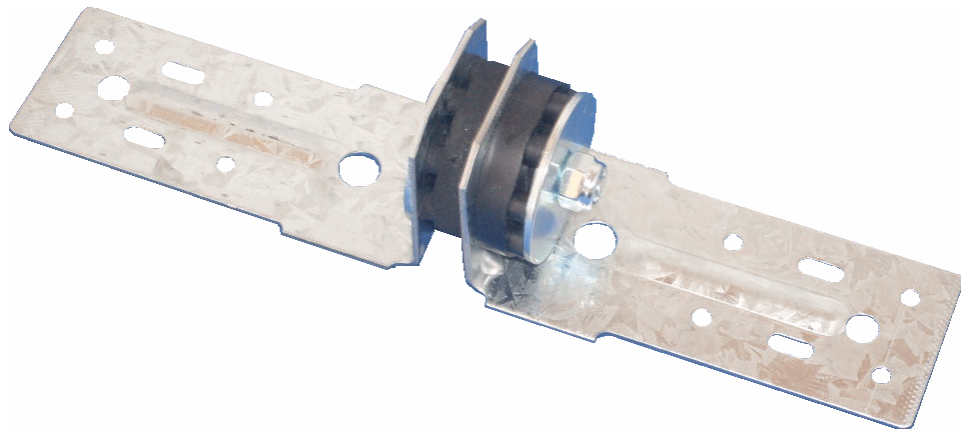


RSIC-CWB HD/DD INSTALLATION GUIDE

RSIC-CWB HD/DD SOUND ISOLATION CLIP

RSIC-CWB HD/DD

WOOD - STEEL FRAMED WALLS



RSIC-CWB HD/DD SOUND ISOLATION CLIP



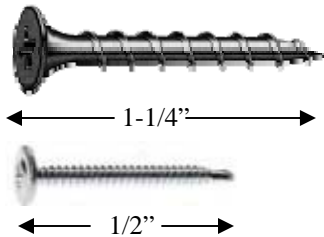
RSIC-CWB HD/DD Isolator Spacing and load:

- **Maximum Acoustical Design Load:** 144 Lbs per isolator.
- **Maximum Spacing allowed:** 48" x 48" oc.

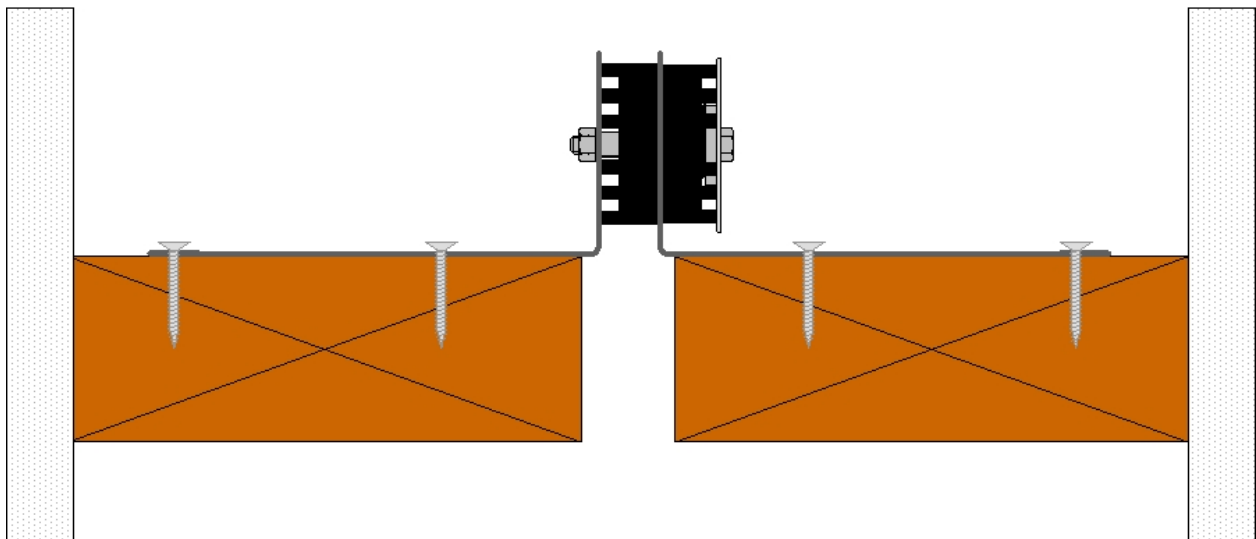
RSIC-CWB HD/DD Dimensions:

- RSIC-CWB HD/DD clip 8-1/2" tall
- RSIC-CWB HD/DD clip 1-5/8" wide
- RSIC-CWB HD/DD clip 1-3/4" deep

Approved Fasteners:



- **RSIC-CWB HD/DD to Wood:** 1-1/4 inch minimum size coarse thread screw.
- **RSIC-CWB HD/DD to Steel:** # 1/2 inch minimum size fine thread screw.
- DO NOT fasten Resilient Sound Isolation Clips (RSIC-CWB HD/DD) to framing members with nails. Use only approved fasteners.

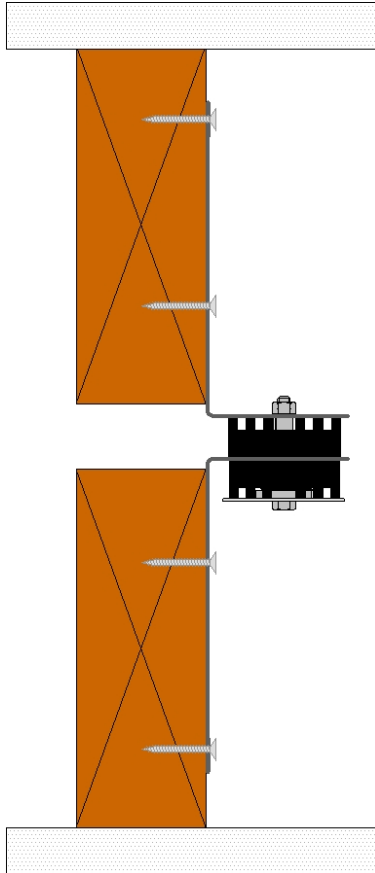


RSIC-CWB HD/DD SOUND ISOLATION CLIP

Wood or Steel Framing

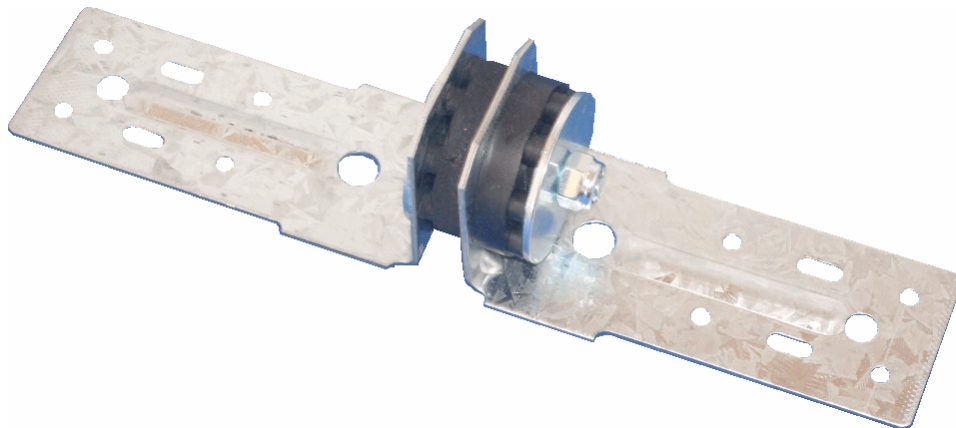
Walls: Wood or Steel Framing.

- Resilient Sound Isolation Clip (RSIC-CWB HD/DD) maximum spacing vertically 48 inches oc.
- RSIC-CWB HD/DD maximum spacing horizontally 24 inches oc.
- Fasten the Resilient Sound Isolation Clip (RSIC-CWB HD/DD) to the structure members with approved fasteners.
- Locate the first and last row of RSIC-CWB HD/DD clips within 8 inches from the floor, and 8" from the ceiling.
- Minimum 2 screws per connection point.



General Information:

- Resilient Sound Isolation Clip (RSIC-CWB HD/DD) system shall not carry heavy loads such as cabinets or bookshelves
- Seal all potential air leaks with non-hardening acoustical caulking to achieve best noise control results. Use fire rated sealant where required.
- When attaching the RSIC clips to a steel stud the minimum allowable thickness of the steel stud is 20 Ga. (0.030).

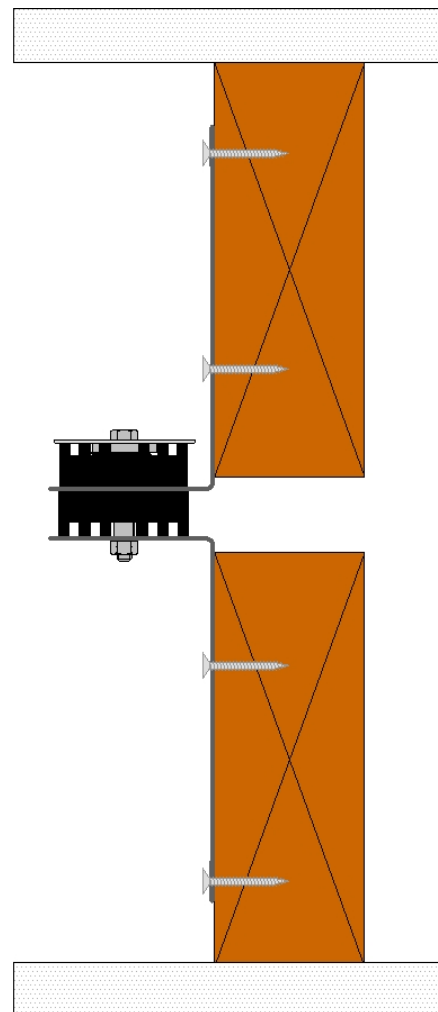
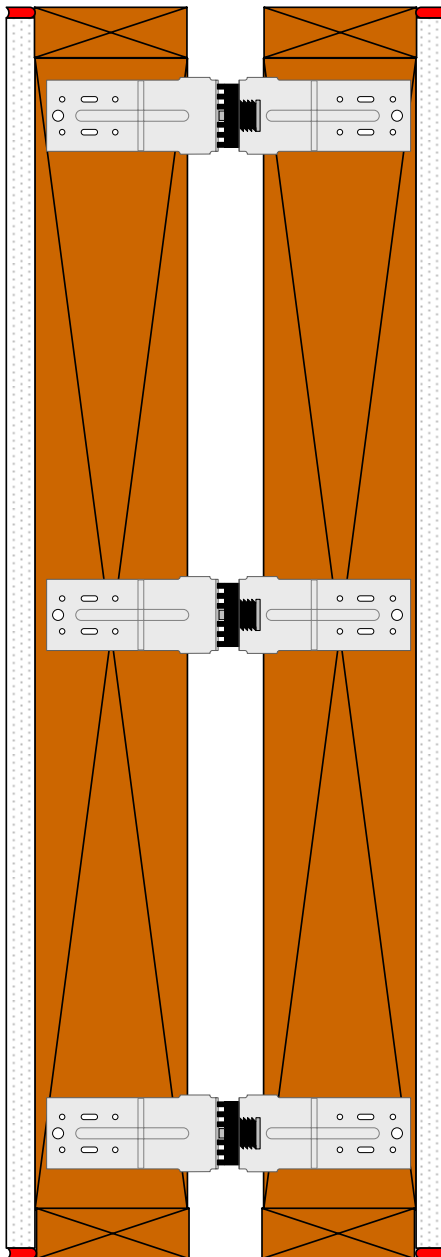


RSIC-CWB HD/DD SOUND ISOLATION CLIP

APPLICATION RECOMMENDATIONS FOR WOOD or STEEL

INSTALLING RESILIENT SOUND ISOLATION CLIPS (RSIC-CWB HD/DD)

RSIC-CWB HD/DD CLIPS AT 48" x 48" OC. MAX.



RSIC-CWB HD/DD SOUND ISOLATION CLIP



Members of the International Code Council

WARRANTY DISCLAIMER AND LIABILITY LIMITATION LANGUAGE

NO EXPRESS OR IMPLIED WARRANTIES

THERE IS NO WARRANTY, REPRESENTATION OR CONDITION OF ANY KIND; AND ANY WARRANTY, EXPRESS OR IMPLIED, IS EXCLUDED AND DISCLAIMED, INCLUDING THE IMPLIED WARRANTIES OF MERCHANTABILITY AND OF FITNESS FOR A PARTICULAR PURPOSE. Some states do not allow limitations on implied warranties, so the above limitation may not apply to you.

LIABILITY LIMITED TO RETURN OF PURCHASE PRICE

IT IS AGREED THAT SELLER'S LIABILITY AND PURCHASER'S SOLE REMEDY, WHETHER IN CONTRACT, UNDER ANY WARRANTY, IN TORT (INCLUDING NEGLIGENCE), IN STRICT LIABILITY OR OTHERWISE, SHALL NOT EXCEED THE RETURN OF THE AMOUNT OF THE PURCHASE PRICE PAID BY PURCHASER, AND UNDER NO CIRCUMSTANCES SHALL SELLER BE LIABLE FOR ANY SPECIAL, INCIDENTAL OR CONSEQUENTIAL DAMAGES, INCLUDING, BUT NOT LIMITED TO, PERSONAL INJURY, PROPERTY DAMAGE, DAMAGE TO OR LOSS OF EQUIPMENT, LOST PROFITS OR REVENUE, COSTS OF RENTING REPLACEMENTS AND OTHER ADDITIONAL EXPENSES, EVEN IF SELLER HAS BEEN ADVISED OF THE POSSIBILITY OF SUCH DAMAGES. THE PRICE STATED FOR THE EQUIPMENT IS A CONSIDERATION IN LIMITING SELLER'S LIABILITY AND PURCHASER'S REMEDY. Some states do not allow the exclusion or limitation of incidental or consequential damages, so the above limitation or exclusion may not apply to you.

SELLER NOT LIABLE FOR PURCHASER'S NEGLIGENCE

SELLER WILL NOT BE LIABLE FOR ANY DAMAGES, LOSSES OR EXPENSES AS A RESULT OF PURCHASER'S NEGLIGENCE, WHETHER DEEMED ACTIVE OR PASSIVE AND WHETHER OR NOT ANY SUCH NEGLIGENCE IS THE SOLE CAUSE OF ANY SUCH DAMAGE, LOSS OR EXPENSE.

MODEL FOR DEMONSTRATION PURPOSES ONLY

THE MODEL OR SAMPLE SHOWN BY SELLER TO BUYER IS USED FOR DEMONSTRATION PURPOSES ONLY. THERE IS NO WARRANTY THAT THE GOODS AS DELIVERED SHALL CONFORM TO THE MODEL OR SAMPLE, AND CONFORMITY OF THE GOODS TO THE MODEL OR SAMPLE IS NOT PART OF THE BASIS OF THE BARGAIN BETWEEN SELLER AND BUYER.

NO WARRANTY OR COMPLIANCE WITH SAFETY CODE OR REGULATION

SELLER DOES NOT WARRANT THAT ANY OF THE GOODS SOLD WILL MEET OR COMPLY WITH THE REQUIREMENTS OF ANY SAFETY CODE, BUILDING OR DWELLING CODE, OR REGULATION OF ANY STATE, MUNICIPALITY OR OTHER JURISDICTION.

OREGON LAW APPLIES

SELLER AND BUYER AGREE THAT ALL ASPECTS OF THIS TRANSACTION INCLUDING THE APPLICABLE STATUTE OF LIMITATIONS SHALL BE GOVERNED BY THE INTERNAL LAW OF THE STATE OF OREGON, AND NOT THE LAWS OF OTHER STATES.

This warranty gives you specific legal rights, and you may also have other rights which vary from state to state.