



To Whom It May Concern:

RSIC clips acoustical design load

All of the RSIC Family of resilient sound isolation clips have a maximum design load of 36 lbs per clip. This is the acoustic maximum that the all of the RSIC clips are allowed to support.

RSIC-DC04

RSIC-CWB

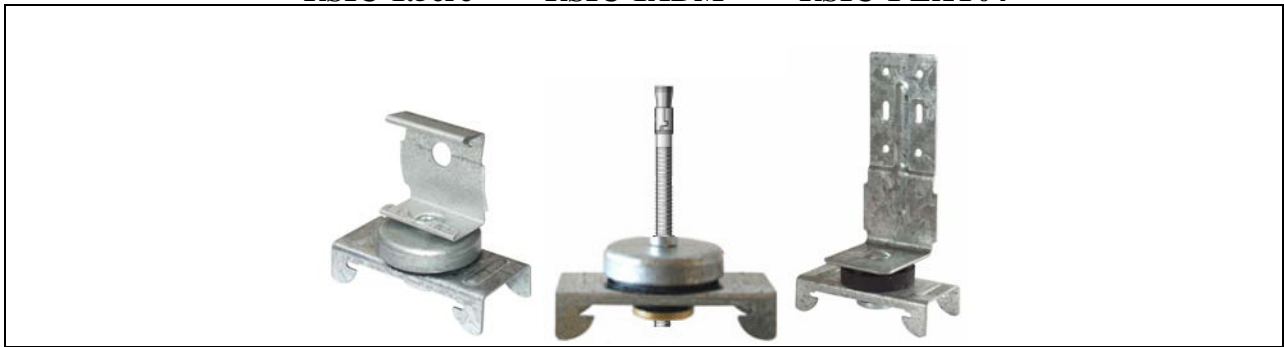
RSIC-1



RSIC-1.5crc

RSIC-1ADM

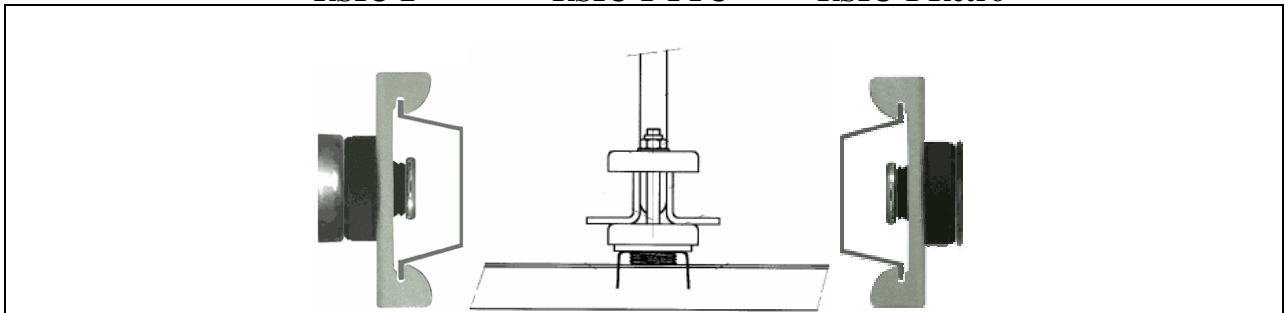
RSIC-1 EXT04



RSIC-2

RSIC-1 TTC

RSIC-1 Retro



Thank you,
Mike Gernhart
National Sales Manager
PAC International Inc.