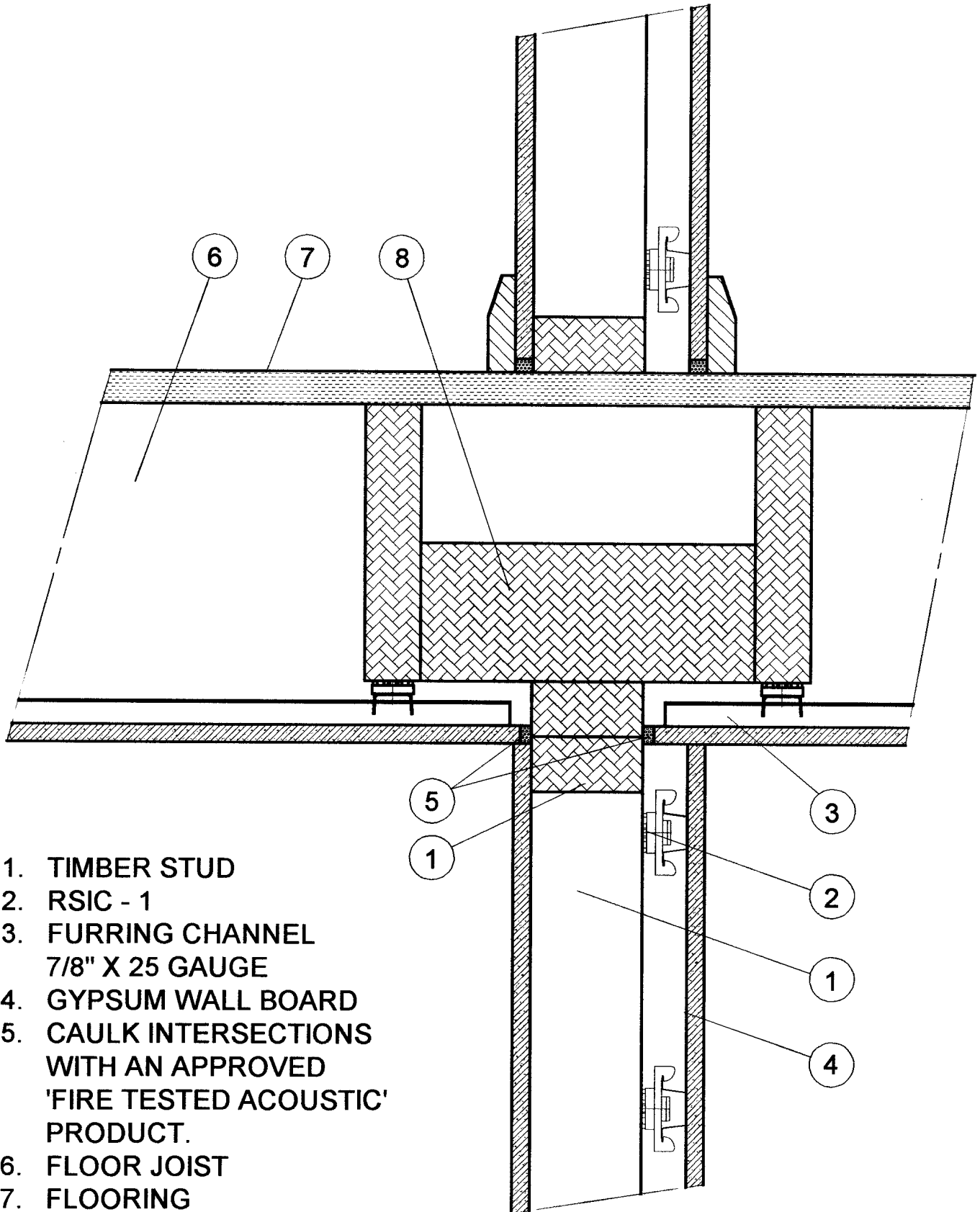


## WALL TO CEILING / FLOOR JUNCTION STEEL STUD



1. TIMBER STUD
2. RSIC - 1
3. FURRING CHANNEL  
7/8" X 25 GAUGE
4. GYPSUM WALL BOARD
5. CAULK INTERSECTIONS  
WITH AN APPROVED  
'FIRE TESTED ACOUSTIC'  
PRODUCT.
6. FLOOR JOIST
7. FLOORING
8. TIMBER CROSS BRACE