

# RSIC-1

## Acoustic Assembly



### LOAD SPECIFICATION:

The RSIC-1 acoustic assembly is a proprietary part used for fastening gypsum wallboard to a supporting structure while simultaneously isolating it from vibration which significantly reduces the amount of impact and airborne sound filtering from rooms above, below and alongside.

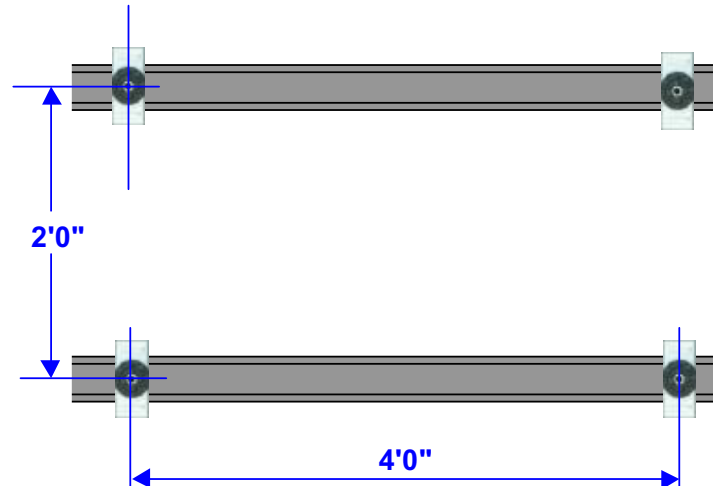
To enable the acoustic performance of the RSIC-1 to be effective, it is recommended that the dead or shear load should not exceed **36lbs** on the assembly based on a grid layout of 4'0" x 2'0"oc. as shown below.



FLOOR / CEILING SYSTEM



WALL SYSTEM



GRID LAYOUT WALLS AND CEILINGS